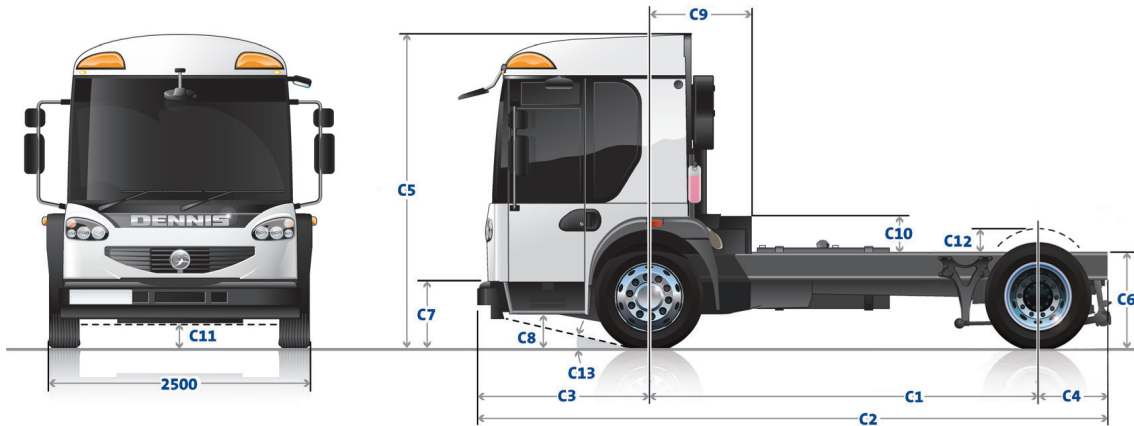


2013 SPECIFICATIONS

ELITE 2 : EURO 5

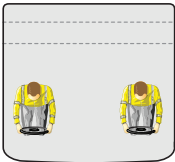
WIDE TRACK - Rear Air Suspension

4 x 2 Dual Control

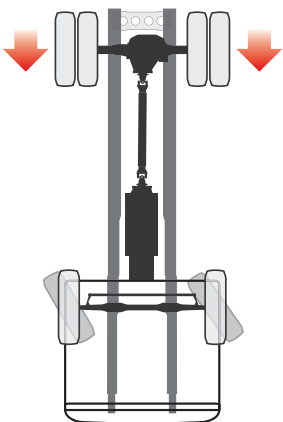


seating position options

Driver (RHS)
+
Driver (LHS)



wheel plan



Maximum plated vehicle weight	16500 (18000*)	
Unladen weight	6100	6200
Front axle plated weight	6500 (8000*)	
Rear axle/bogie plated weight	10000 (11500*)	
Front axle unladen weight	4320	4320
Rear axle/bogie unladen weight	1780	1880
Turning circle - overall (metres)	16.3	17.3
Tyres - axle 1	295/80R22.5	
Tyres - axle 2	IIR22.5	
Air suspension	Front Air Assist option (add 50kg), rear standard	
C1 Overall wheelbase	4500	4850
C2 Overall length	6965	8015
C3	Front overhang	1665
	Front overhang - cab tilted	3500
C4 Rear axle to end of chassis	800	1500
C5	Cab roof height	3040
	Cab roof height - cab tilted	3740
C6 Chassis frame height	970	
C7 Cab floor height	805	
C8 First cab step height from ground	435	
C9 Engine clearance - horizontal	950	
C10 Engine clearance - vertical	470	
C11 Ground clearance at lowest part of vehicle	250	
C12 Minimum road wheel clearance	180	
C13 Approach angle	15.5°	

(*) Design weight.

NOTE: Unless otherwise stated, all dimensions are nominal, in mm and represent an unladen vehicle fitted with standard tyres; tyre deflection is not included. On vehicles equipped with optional air suspension, heights may differ. All specifications are subject to manufacturers tolerances. An allowance of +/- 2% should be made for all weights. All weights are in kgs and include oil and water, and on diesel fuelled vehicles, AdBlue and 50 litres of fuel. Additional equipment may alter dimensions and weights quoted.

Western Star Truck Australia Pty Ltd (the company) reserves the right to change the specification, design, material, procedures and dimensions of the vehicles described herein without prior notice at any time in the future, in accordance with the company's constant product improvement policy.



4 X 2 Dual Control

ELITE 2 : EURO 5

WIDE TRACK - Rear Air Suspension

SPECIFICATIONS

CAB

- Low floor with one step entry.
- Cromwell stainless steel construction.
- ECE R29 compliant.
- GRP moulded roof, wings and front grille.
- Manually operated hydraulic cab tilt mechanism.
- Standard seating for driver (RHS) + driver (LHS)

COMFORT & SAFETY

- Adjustable air suspended driver's seat with head and arm rest and adjustable lumbar support (RHS)
- Adjustable air suspended driver's seat with head and arm rest and adjustable lumbar support. (LHS)
- Tilt and telescoping adjustable steering column(s).
- Integral 3-point inertia-reel seat belts for driver(s).
- Dark grey cloth seat trim.
- Washable floor covering.
- Interior lamps with directable beam function.
- Tinted glass throughout.
- Electric windows with dual controls.
- Two half-width sun-blinds.
- Electrically adjustable / heated rear view mirrors.
- Heated wide-angle rear view mirror.
- (2) Kerb view mirror.
- Front wide view mirror
- 2 speed and intermittent windscreen wipers with electric washers.
- Heavy duty heater with 3 speed blower.
- Air conditioning standard.
- Adjustable fascia air vents.

STORAGE

- Rear wet area with drip tray.
- Roof console stowage cupboards.
- Coat hooks.
- Parking brake-actuator wind-off spanner, cab-tilt-pump handle securely mounted in cab.

CHASSIS FRAME

- Pressed steel channel section, bolted construction.
- Front under-run protection.
- Frame width: 890mm.
- Rail section: 260 x 100 x 10mm.

AXLES

FRONT

- Dana NDS80 forged "I" section.
- Design capacity: 8000kg.

DRIVE

- Dana G171 series.
- Ratio: 6.14:1.
- Design capacity: 11500kg.

SUSPENSION

FRONT

- Twin leaf parabolic springs.
- Telescopic dampers.
- Optional 4 Bellow Air Assist.

REAR

- Hendrickson HA4T Air Suspension.
- Telescopic dampers.

BRAKES

- Full air.
- Twin circuit.
- 4 channel ABS.
- Traction control (ASR).
- Disc brakes all round.
- Automatic adjustment.
- Asbestos free pads.
- 4 wheel parking brake.
- Water-cooled compressor: Single cylinder
- Audible and visual "low air" warning in cab.

ENGINE

- Cummins (Euro 5) ISLe 280 bhp 6 cylinder, 8.9 litre in-line diesel.
- Electronic fuel injection.
- SCR treatment for Euro 5 compliance.
- Maximum torque: 1060 Nm @ 1100 - 1600 rpm.

GEARBOX

- Allison World Series, MD 3000 6 speed automatic.
- Electronic push-button control(s).
- Ratios:

1st	3.487
2nd	1.864
3rd	1.54
4th	1.400
5th	0.750
6th	0.650
Reverse	5.027

- PTO included and mounted on LHS of transmission.

FUEL SYSTEM

- 315 litre alloy fuel tank with locking cap.
- Fuel micro-filter, heater and pump filter.
- 35 litre AdBlue Reservoir.
- NOx Control to Euro 5 Standard.

ELECTRICAL SYSTEM

- 24 volt, negative earth.
- Battery: (2) Low maintenance, with 1000 CCA capacity each.
- Alternator: 70 amp.
- Twin auxiliary main beam lamps.
- Electrically adjustable headlights.
- Integral roof beacons.
- In-dash 12V power supply socket.
- Standard radio/CD player in header (4 speakers fitted as standard).
- Provision for weighing systems and monitor/ display units to header (3 DIN slots).
- Engine hour meter within display unit with digital clock.
- Electronic instruments in both driving positions include:
 - speedometer
 - tachometer
 - coolant temperature
 - fuel level
 - AdBlue level gauge and,
 - service brake air pressure gauges.
- Access to fuses and relays in cab.

STEERING

- Integrally powered recirculating ball.
- 5 turns lock to lock (approx).

ROAD WHEELS

- 335 PCD/Pressed steel spigot mounted 10 stud wheels, 22.5 inch diameter.

PERFORMANCE DATA

- Maximum speed: 100kph (speed limited).
- Stall gradeability: 48%.

EXHAUST

- Low slung exhaust with SCR Catalytic Converter.

OPTIONS

For more details of specifications and options please consult a Dennis Eagle Sales representative.

